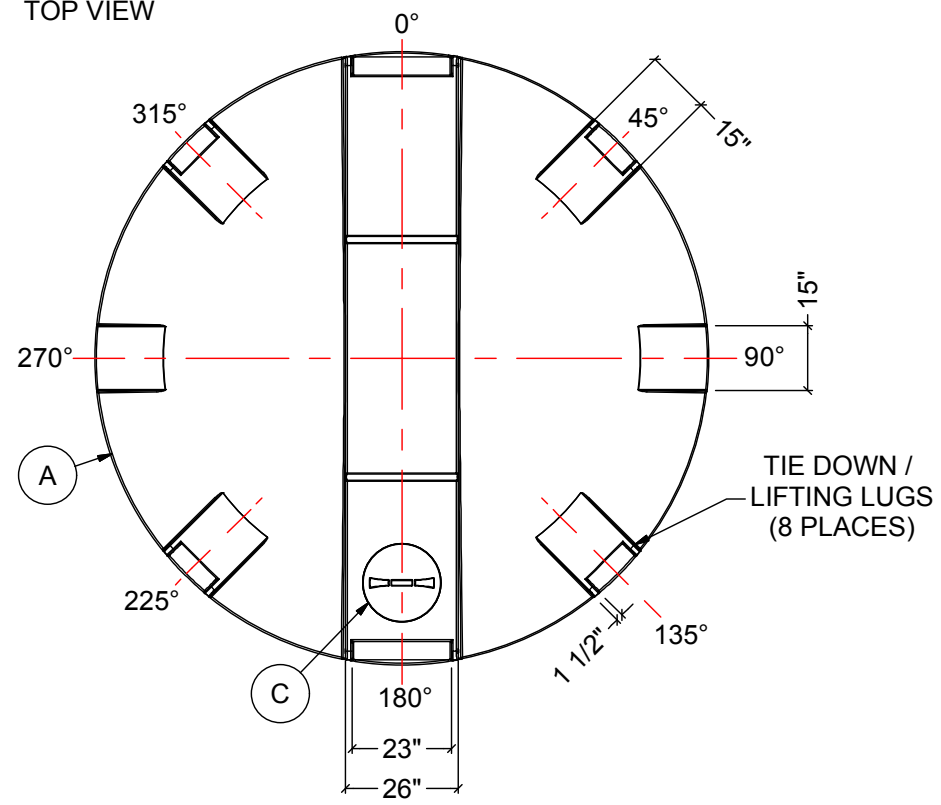


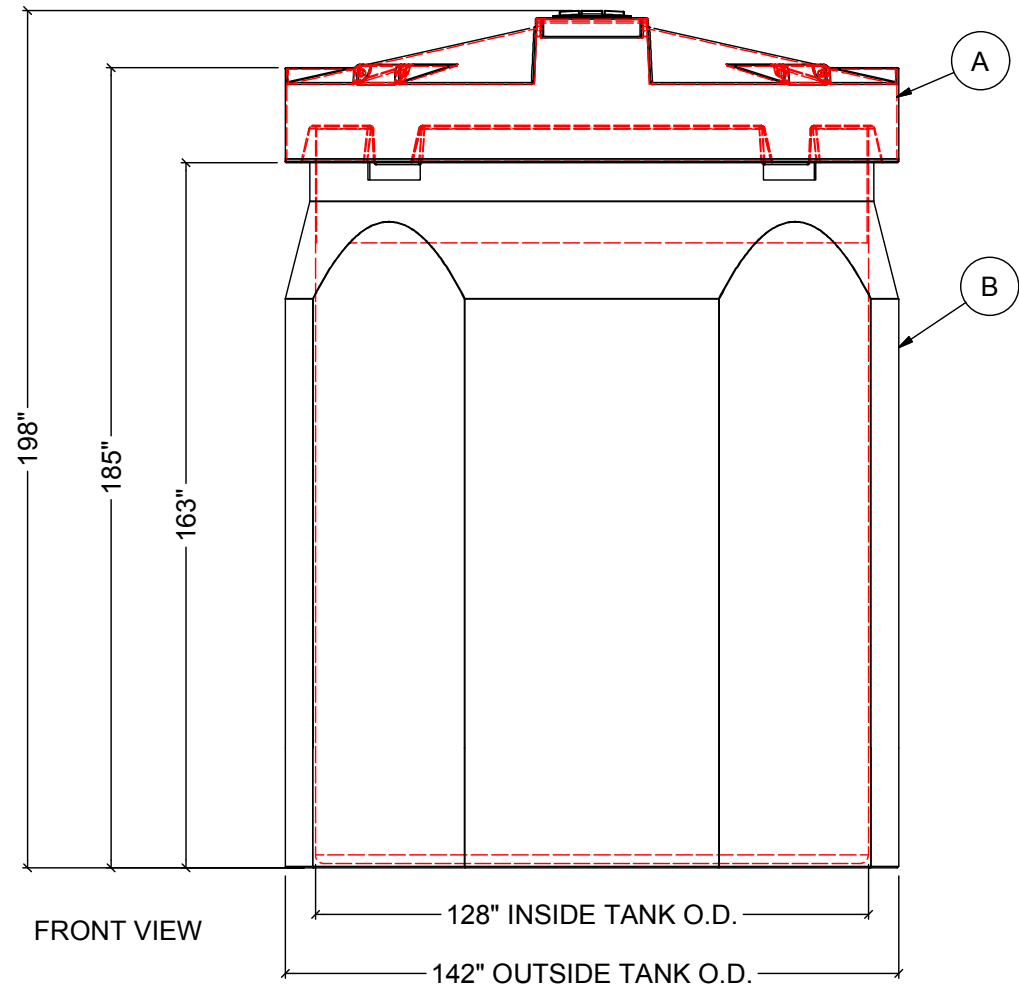
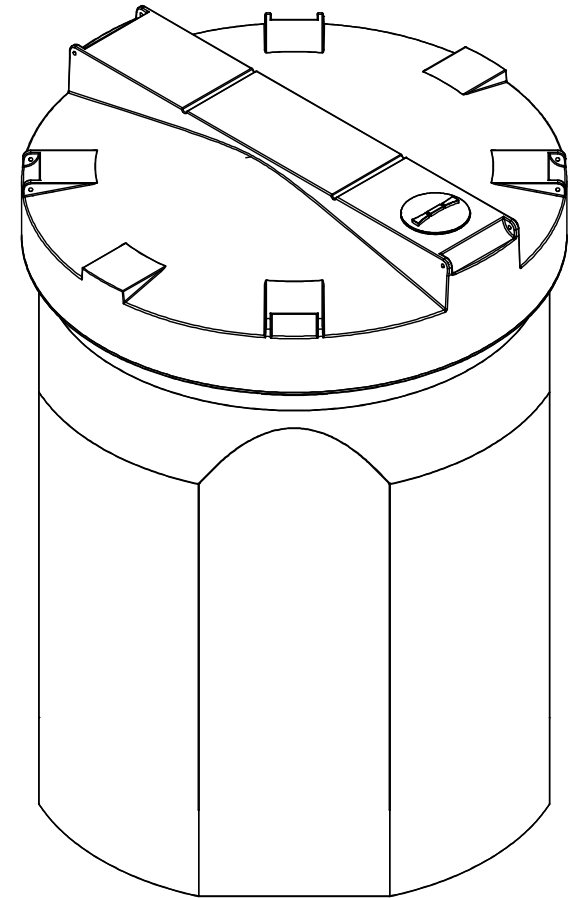
TOP VIEW



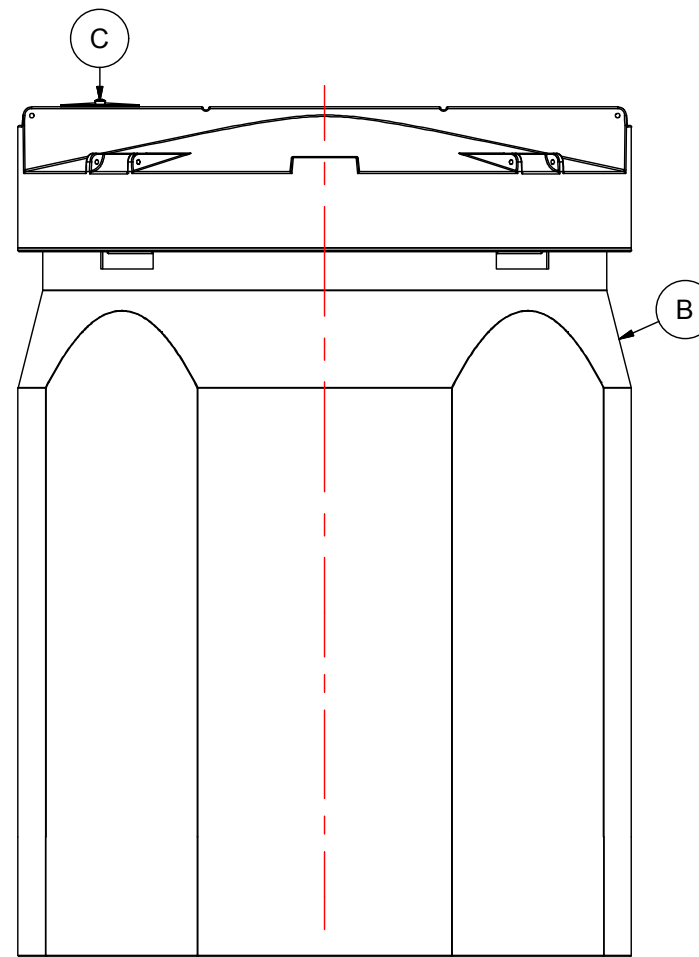
NOTES:

1. TANK IS MANUFACTURED TO ASTM-D-1998 STANDARD.
2. ALL DIMENSIONS ARE APPROXIMATE.
3. TANK CAPACITY APPROX. 32,300 L / 7,300 IG

MATERIALS LIST		
ITEMS	DESCRIPTION	NOTES
A	DCT-7340 PRIMARY TANK	
B	DCT-7340 CONTAINMENT TANK	
C	15" THREADED LID	



FRONT VIEW



SIDE VIEW

REV	DATE	DESCRIPTION	BY	APPD	REVD
REVISIONS					

CUSTOMER

TITLE	ACO JOB NO:
7300 IG DOUBLE WALL TANK	PURCHASE ORDER NO:
	PURCHASER'S EQUIP. NO:

THIS DRAWING IS THE PROPERTY OF ROTOPLAST INC. AND SHALL NOT BE COPIED OR TRANSFERRED WITHOUT THE WRITTEN CONSENT OF ROTOPLAST INC.

ENGINEERS SEAL	<b>ACO CONTAINER SYSTEMS</b> DIVISION OF ROTOPLAST INC.	
	PICKERING - ONTARIO - CANADA	
	ACO CONTAINER SYSTEMS DIVISION OF ROTOPLAST INC. 794 MCKAY RD. PICKERING, ONTARIO, CANADA TEL. 905-683-8222 FAX 905-683-2969	DESIGNED DRAWN WM CHECKED APPROVED SCALE DATE
DWG No	DCT-7340	REV 0