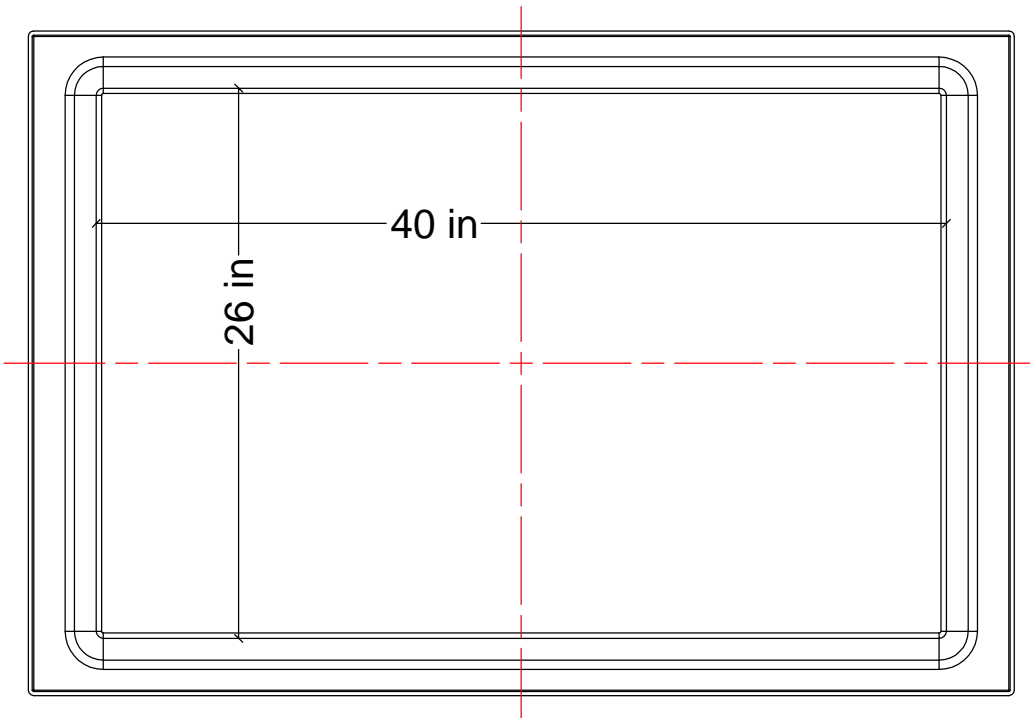


### MATERIALS LIST

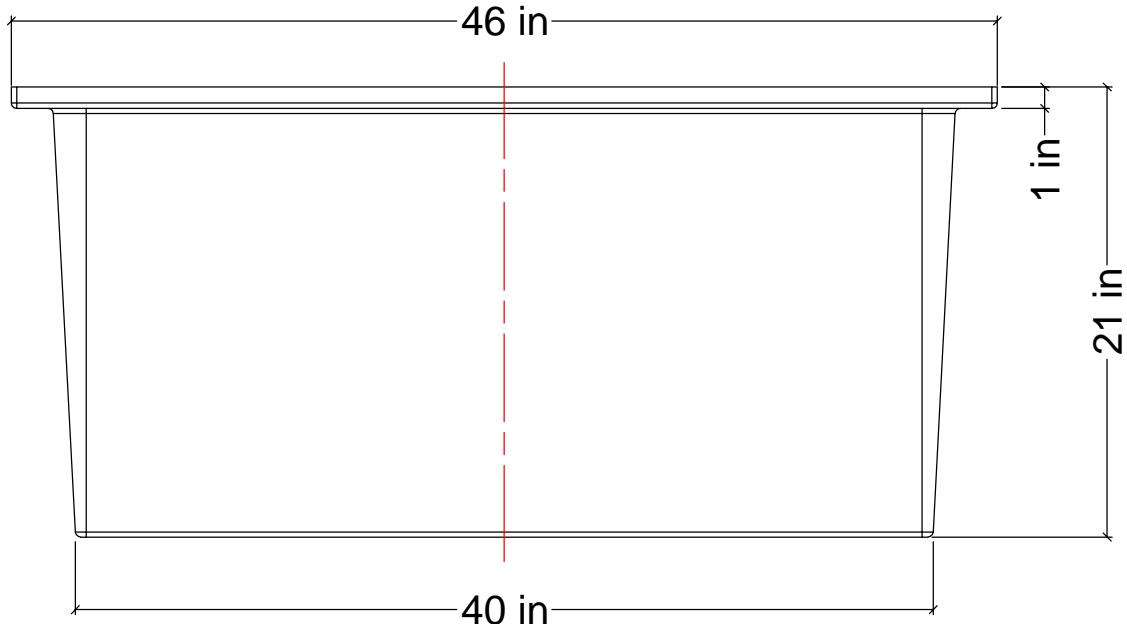
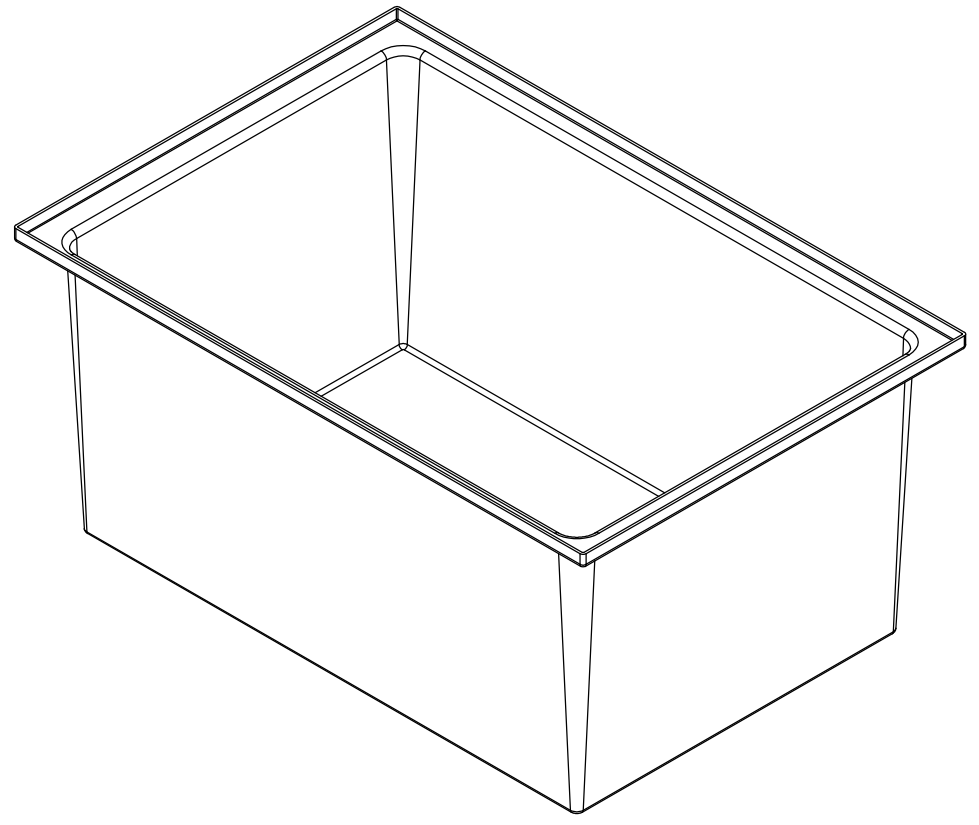
ITEMS	DESCRIPTION	NOTES
A	IRD-90 SECONDARY CONTAINMENT BASIN	

**NOTES:**

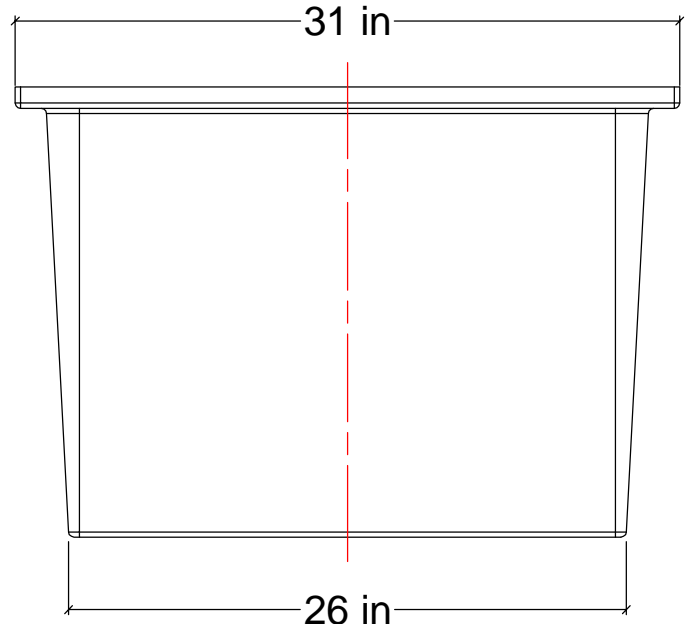
1. TANK IS MANUFACTURED TO ASTM-D-1998 STANDARD.
2. TANK CAPACITY: 90 I.G. (430 L).
3. ALL DIMENSIONS ARE APPROXIMATE.



TOP VIEW



FRONT VIEW



SIDE VIEW

REV	DATE	DESCRIPTION	BY	APPD	REVD
REVISIONS					

**CUSTOMER**

**TITLE**  
90 I.G. SECONDARY CONTAINMENT BASIN

**ACO JOB NO:**  
**PURCHASE ORDER NO:**  
**PURCHASER'S EQUIP. NO:**

THIS DRAWING IS THE PROPERTY OF ACO CONTAINER SYSTEMS LTD. AND SHALL NOT BE COPIED OR TRANSFERRED WITHOUT THE WRITTEN CONSENT OF ACO CONTAINER SYSTEMS LTD.

ENGINEERS SEAL	<b>ACO CONTAINER SYSTEMS LTD.</b>	
	<small>PICKERING - ONTARIO - CANADA</small>	
ACO CONTAINER SYSTEMS LTD. 794 MCKAY RD. PICKERING, ONTARIO, CANADA L1W 2Y4 TEL. 905-683-8222 FAX 905-683-2969	DESIGNED	
	DRAWN	WM
	CHECKED	
	APPROVED	
	SCALE	N.T.S.
DWG No	IRD-90	REV 0