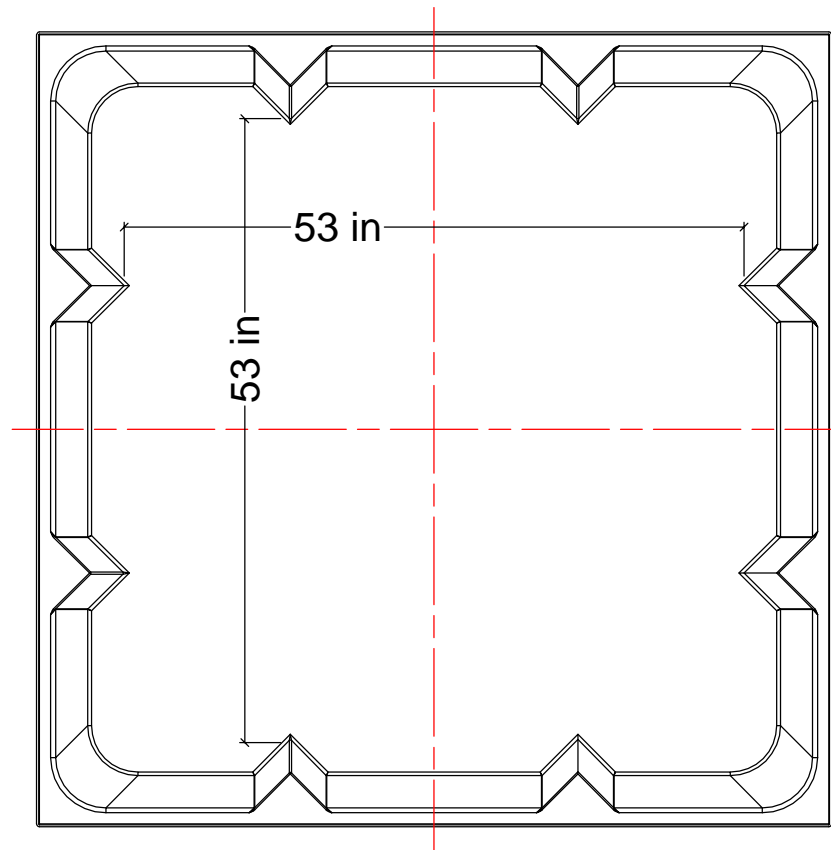


MATERIALS LIST

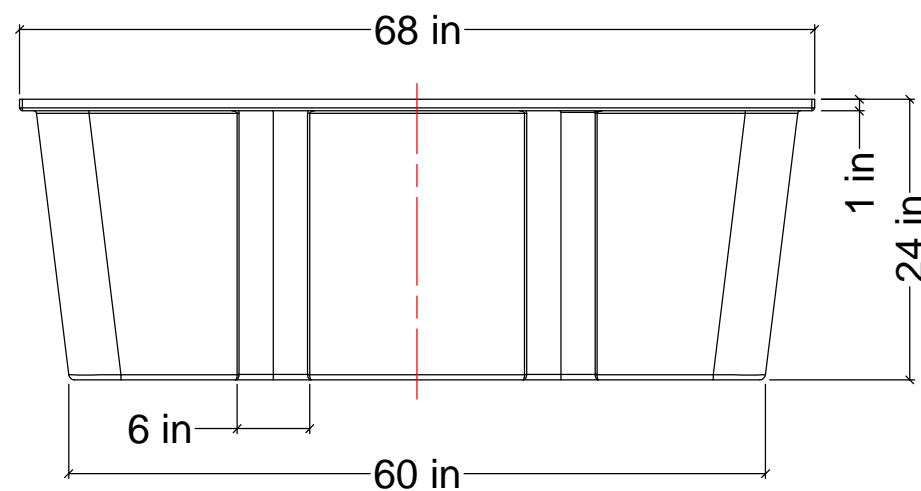
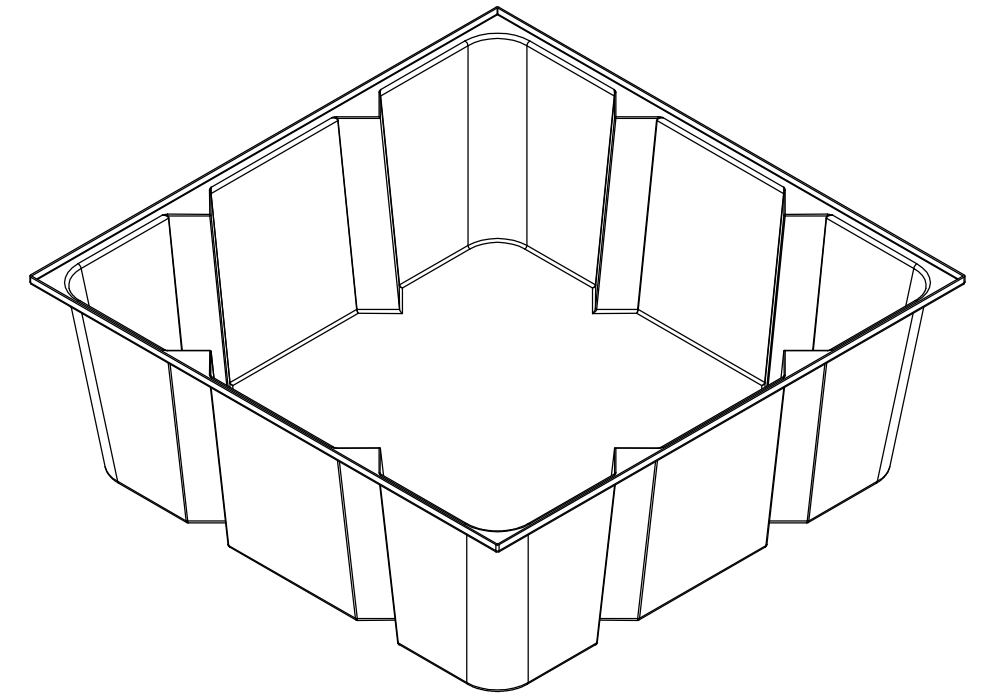
ITEMS	DESCRIPTION	NOTES
A	IRD-310 SECONDARY CONTAINMENT BASIN	

NOTES:

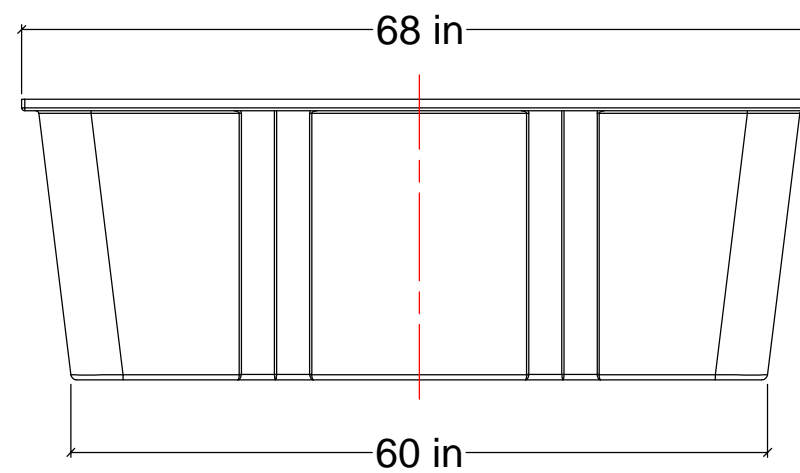
1. TANK IS MANUFACTURED TO ASTM-D-1998 STANDARD.
2. TANK CAPACITY: 310 I.G. (1400 L).
3. ALL DIMENSIONS ARE APPROXIMATE.



TOP VIEW



FRONT VIEW



SIDE VIEW

REV	DATE	DESCRIPTION	BY	APPD	REVD
REVISIONS					

CUSTOMER	
TITLE 310 I.G. SECONDARY CONTAINMENT BASIN	ACO JOB NO: PURCHASE ORDER NO: PURCHASER'S EQUIP. NO:

THIS DRAWING IS THE PROPERTY OF ACO CONTAINER SYSTEMS LTD. AND SHALL NOT BE COPIED OR TRANSFERRED WITHOUT THE WRITTEN CONSENT OF ACO CONTAINER SYSTEMS LTD.

ENGINEERS SEAL	ACO CONTAINER SYSTEMS LTD.	
	<small>PICKERING - ONTARIO - CANADA</small>	
	ACO CONTAINER SYSTEMS LTD. 794 MCKAY RD. PICKERING, ONTARIO, CANADA L1W 2Y4 TEL. 905-683-8222 FAX 905-683-2969	DESIGNED DRAWN CHECKED APPROVED SCALE DATE
		WM N.T.S. 21-01-09
DWG No	IRD-310	REV 0