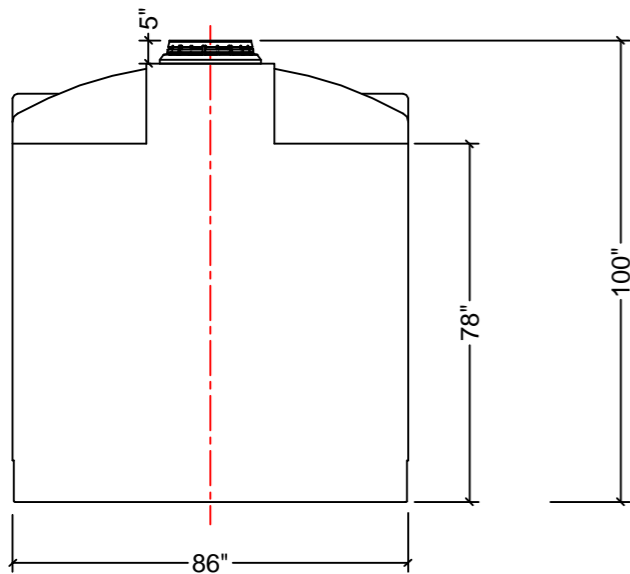
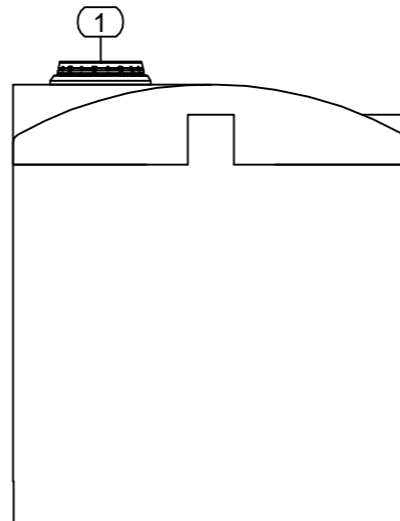


PLAN VIEW



FRONT VIEW



SIDE VIEW

NOZZLE SCHEDULE

ITEM	SIZE	DESCRIPTION	NOTES

NOTES:

- 1. 16" LID WITH LOCKING STRAP. (21" THREADED LID AVAILABLE)

REV	DATE	DESCRIPTION	BY	APPD	REVD

REVISIONS

CUSTOMER					
TITLE	ACO JOB NO:	-			
	PURCHASE ORDER NO:	-			
	PURCHASER'S EQUIP. NO:	-			

THIS DRAWING IS THE PROPERTY OF ACO CONTAINER SYSTEMS LTD. AND SHALL NOT BE COPIED OR TRANSFERRED WITHOUT THE WRITTEN CONSENT OF ACO CONTAINER SYSTEMS LTD.

ENGINEERS SEAL	ACO CONTAINER SYSTEMS LTD.			
	<small>PICKERING - ONTARIO - CANADA</small>			
	ACO CONTAINER SYSTEMS LTD. 794 MCKAY RD. PICKERING, ONTARIO, CANADA L1W 2Y4 TEL. 905-683-8222 FAX 905-683-2969	DESIGNED	S.A.	
		DRAWN	J.M.	
		CHECKED		
		APPROVED		
		SCALE	N.T.S.	
		DATE	01-31-07	
DWG No	CT-1650	REV	1	