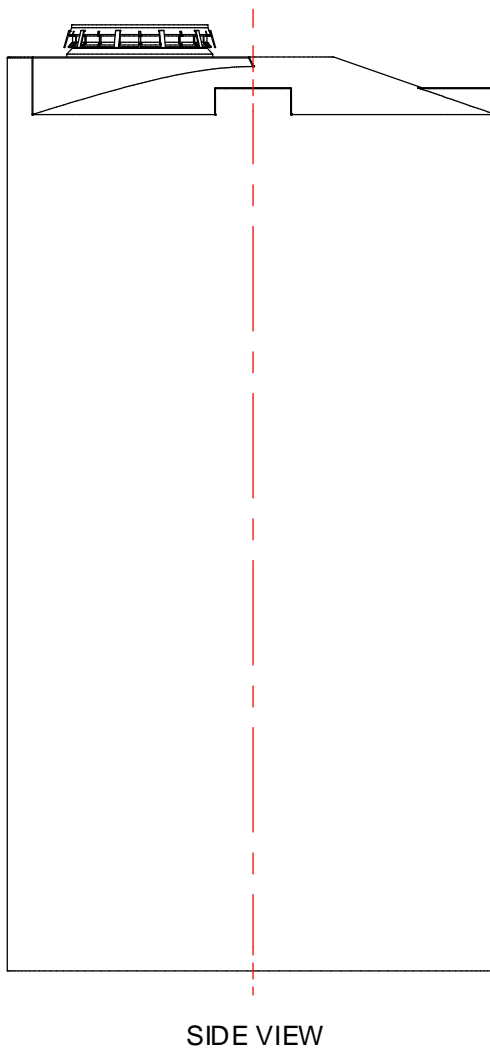
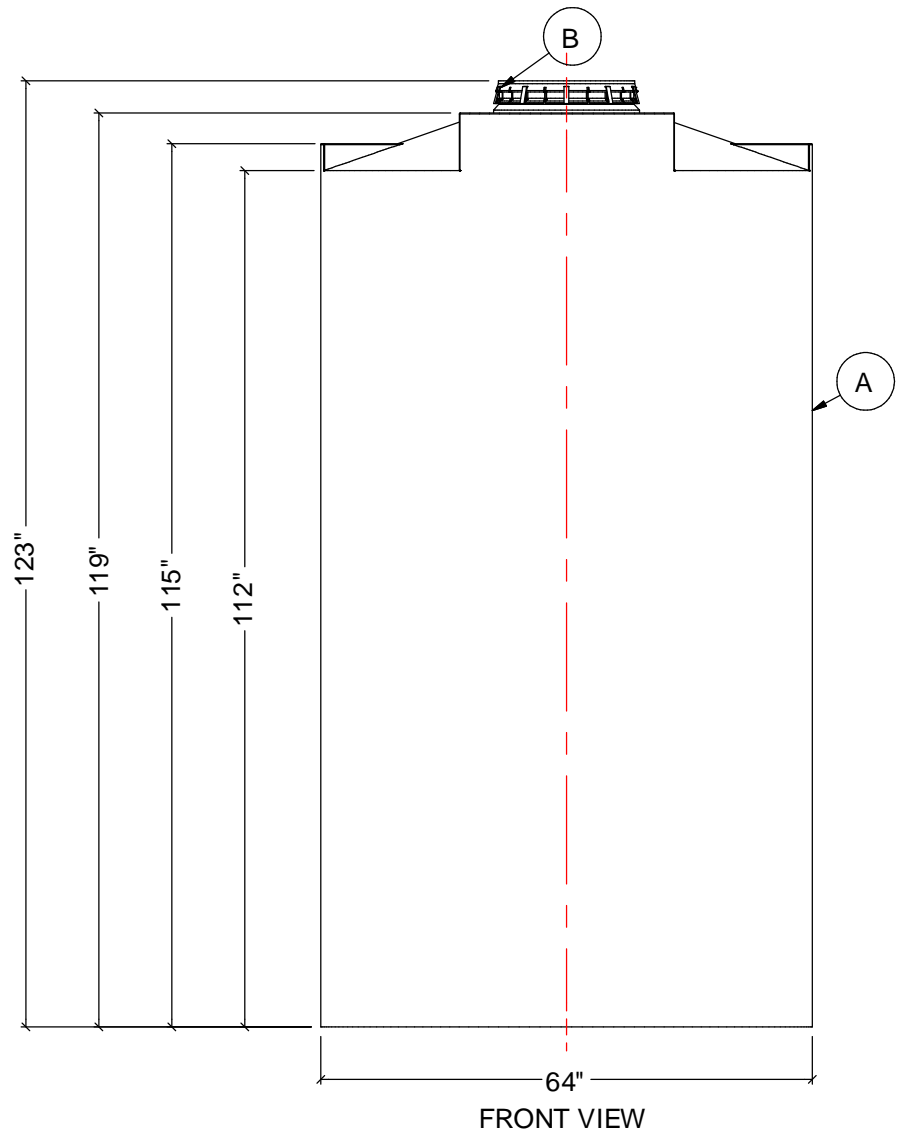
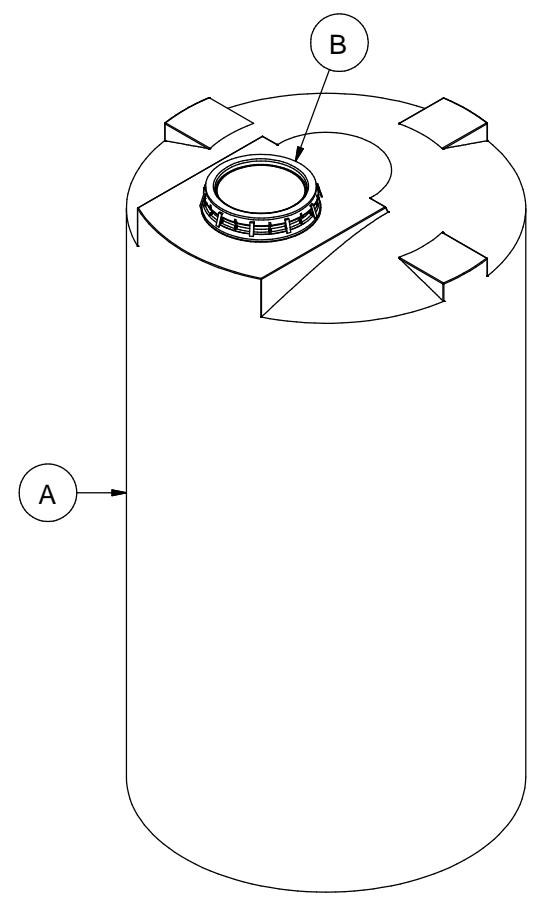


NOTES:  
 1. TANK IS MANUFACTURED TO ASTM-D-1998 STANDARD.  
 2. ALL DIMENSIONS ARE APPROXIMATE.



MATERIALS LIST		
ITEMS	DESCRIPTION	NOTES
A	CT-1235 TANK	
B	16" LID WITH LOCKING STRAP	



REV	DATE	DESCRIPTION	BY	APPD	REVD
REVISIONS					
CUSTOMER					
TITLE			ACO JOB NO:		
1235 I.G. CLOSED TOP TANK			PURCHASE ORDER NO:		
			PURCHASER'S EQUIP. NO:		
THIS DRAWING IS THE PROPERTY OF ACO CONTAINER SYSTEMS LTD. AND SHALL NOT BE COPIED OR TRANSFERRED WITHOUT THE WRITTEN CONSENT OF ACO CONTAINER SYSTEMS LTD.					
ENGINEERS SEAL			ACO CONTAINER SYSTEMS LTD.		
			PICKERING - ONTARIO - CANADA		
			ACO CONTAINER SYSTEMS LTD.		
			794 MCKAY RD.		
			PICKERING, ONTARIO, CANADA		
			L1W 2Y4		
			TEL. 905-683-8222		
			FAX 905-683-2969		
			DESIGNED		
			DRAWN WM		
			CHECKED		
			APPROVED		
			SCALE N.T.S.		
			DATE 07-12-09		
DWG No			CT-1235		REV 0