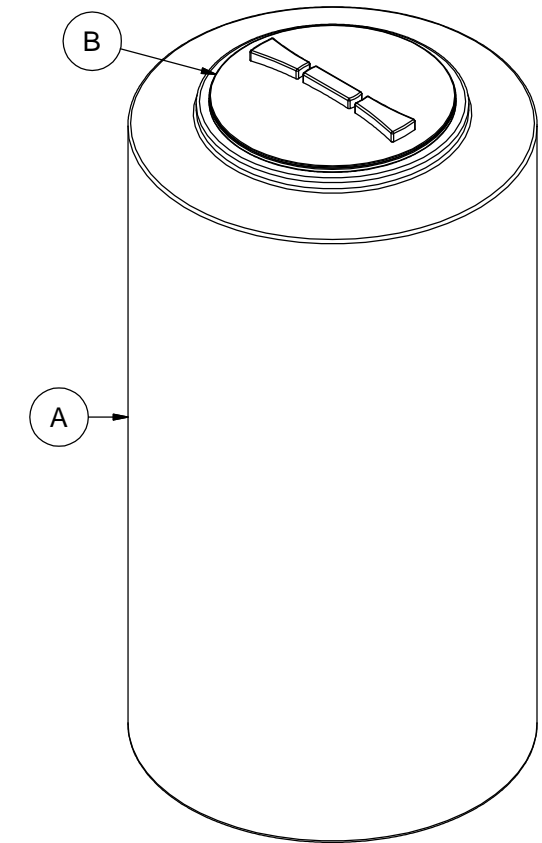
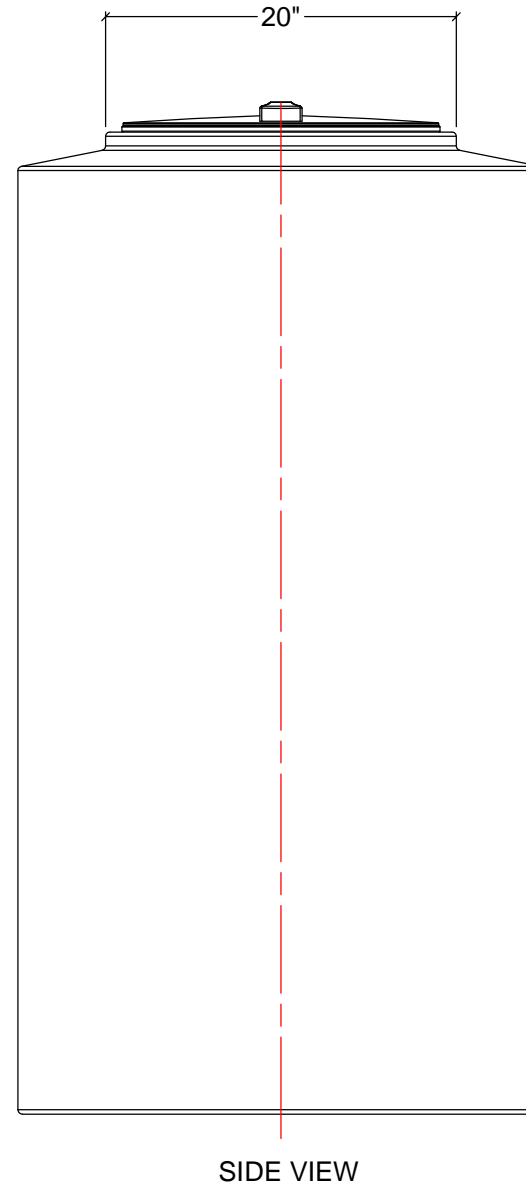
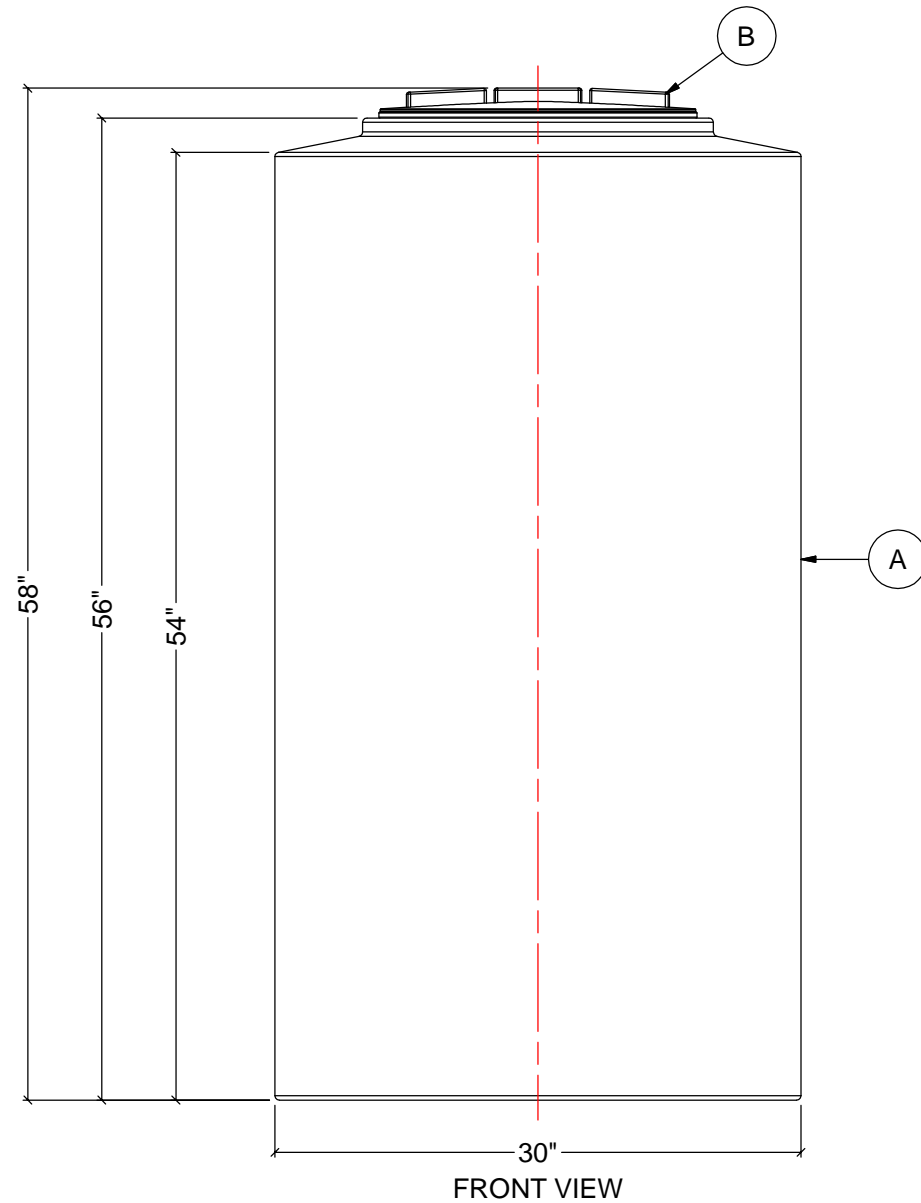
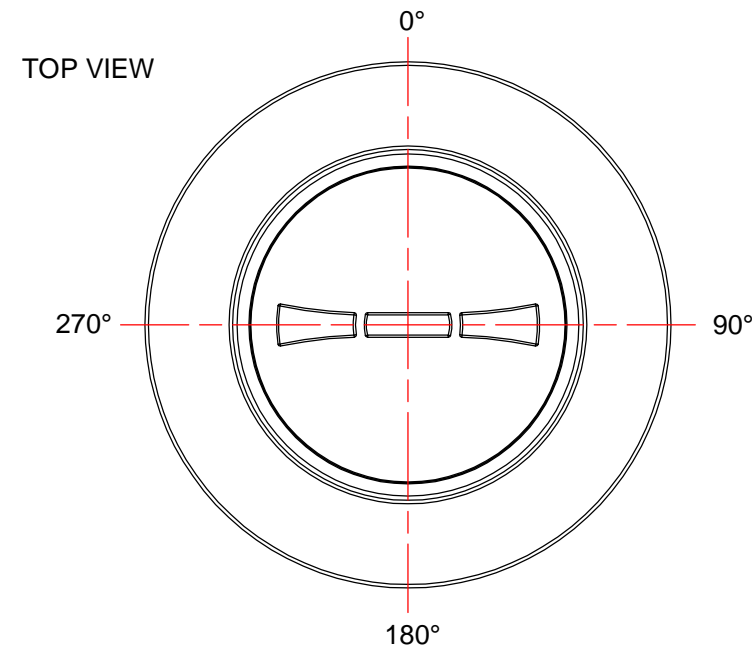


MATERIALS LIST

ITEMS	DESCRIPTION	NOTES
A	CT-120 TANK	
B	15" THREADED MCPHEE LID	

NOTES:

1. TANK IS MANUFACTURED TO ASTM-D-1998 STANDARD.
2. ALL DIMENSIONS ARE APPROXIMATE.



REV	DATE	DESCRIPTION	BY	APPD	REVD	
REVISIONS						
CUSTOMER						
TITLE		ACO JOB NO:				
120 I.G. CLOSED TOP TANK		PURCHASE ORDER NO:				
		PURCHASER'S EQUIP. NO:				
THIS DRAWING IS THE PROPERTY OF ACO CONTAINER SYSTEMS LTD. AND SHALL NOT BE COPIED OR TRANSFERRED WITHOUT THE WRITTEN CONSENT OF ACO CONTAINER SYSTEMS LTD.						
ENGINEERS SEAL		ACO CONTAINER SYSTEMS LTD.				
		<small>PICKERING - ONTARIO - CANADA</small>				
		<small>ACO CONTAINER SYSTEMS LTD.</small>		DESIGNED		
		<small>794 MCKAY RD.</small>		DRAWN	WM	
		<small>PICKERING, ONTARIO, CANADA</small>		CHECKED		
		<small>L1W 2Y4</small>		APPROVED		
		<small>TEL. 905-683-8222</small>		SCALE	N.T.S.	
		<small>FAX 905-683-2969</small>		DATE	12-05-09	
<small>DWG No</small>		CT-120			<small>REV</small>	0