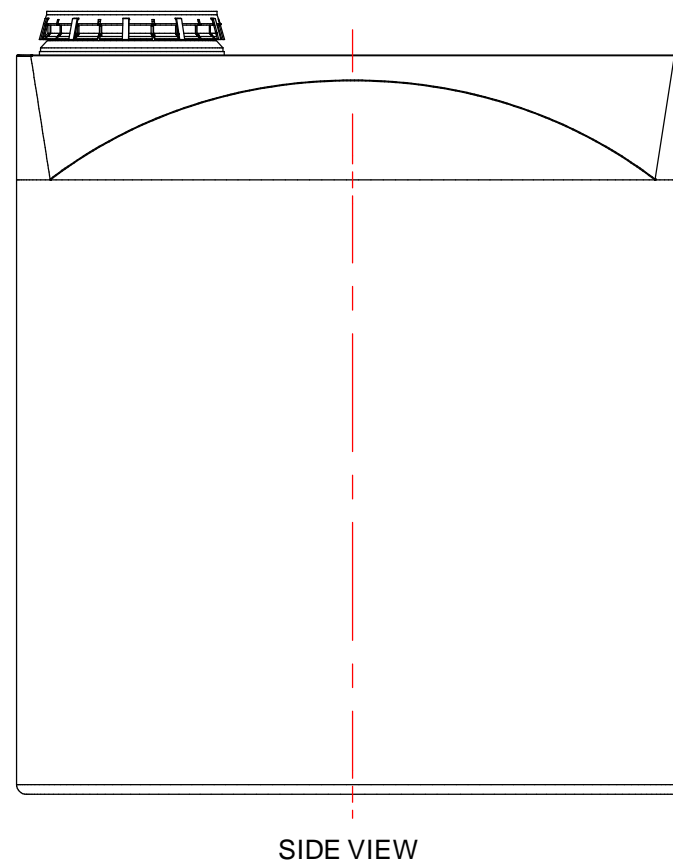
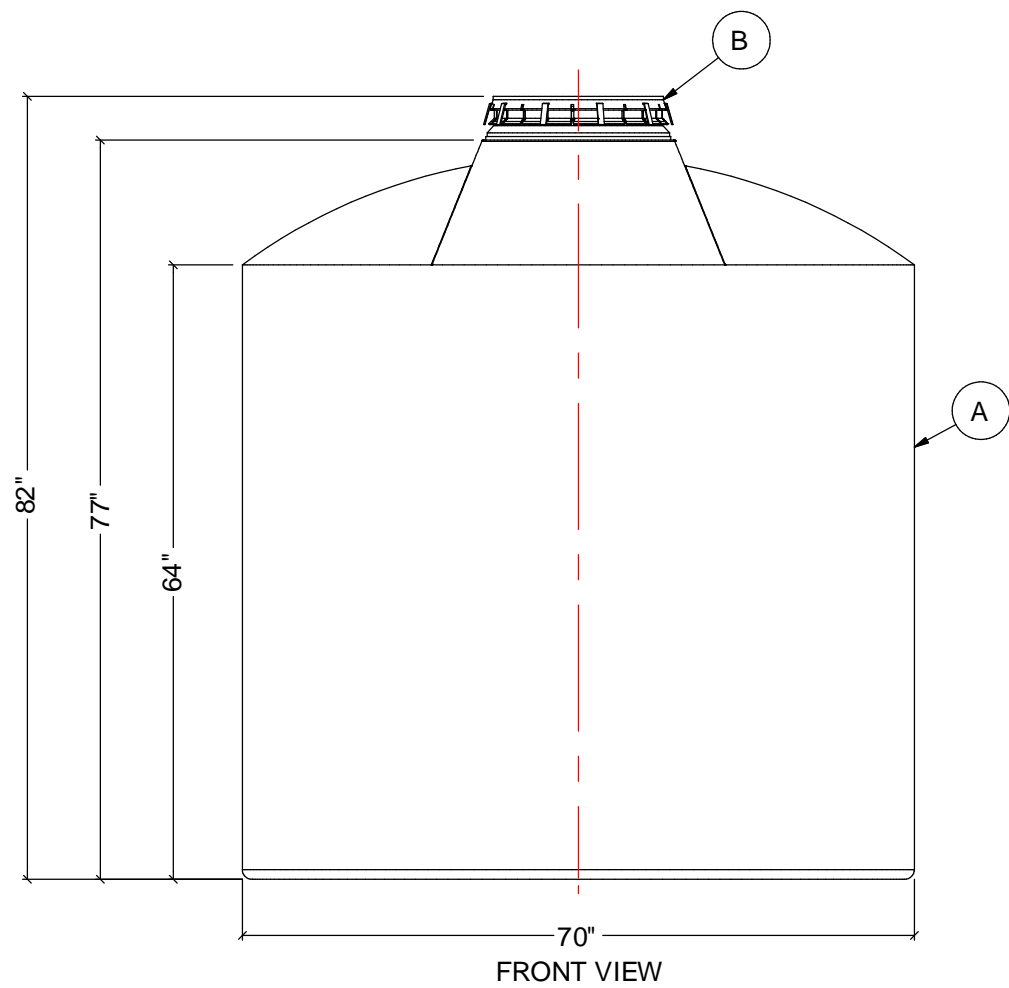
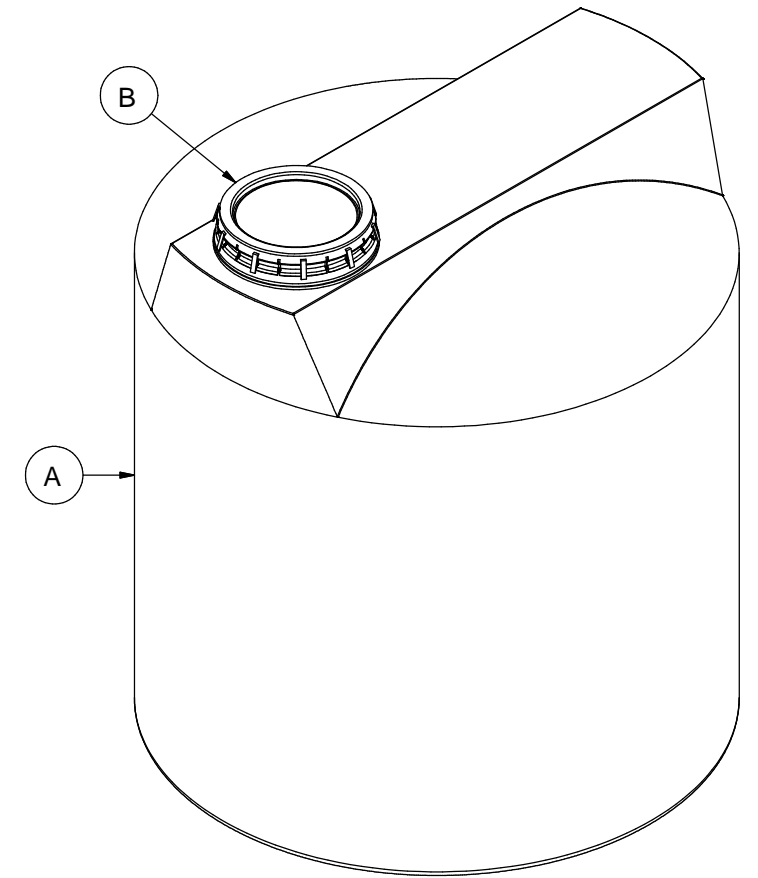


NOTES:

1. TANK IS MANUFACTURED TO ASTM-D-1998 STANDARD.
2. ALL DIMENSIONS ARE APPROXIMATE.



MATERIALS LIST		
ITEMS	DESCRIPTION	NOTES
A	CT-1010 TANK	
B	16" LID WITH LOCKING STRAP	



REV	DATE	DESCRIPTION	BY	APPD	REVD
REVISIONS					
CUSTOMER					
TITLE			ACO JOB NO:		
1010 I.G. CLOSED TOP TANK			PURCHASE ORDER NO:		
			PURCHASER'S EQUIP. NO:		
THIS DRAWING IS THE PROPERTY OF ACO CONTAINER SYSTEMS LTD. AND SHALL NOT BE COPIED OR TRANSFERRED WITHOUT THE WRITTEN CONSENT OF ACO CONTAINER SYSTEMS LTD.					
ENGINEERS SEAL			ACO CONTAINER SYSTEMS LTD. <small>PICKERING - ONTARIO - CANADA</small> ACO CONTAINER SYSTEMS LTD. 794 MCKAY RD. PICKERING, ONTARIO, CANADA L1W 2Y4 TEL. 905-683-8222 FAX 905-683-2969		
			DESIGNED		
			DRAWN	WM	
			CHECKED		
			APPROVED		
			SCALE	N.T.S.	
			DATE	27-07-10	
DWG No			CT-1010		REV 0