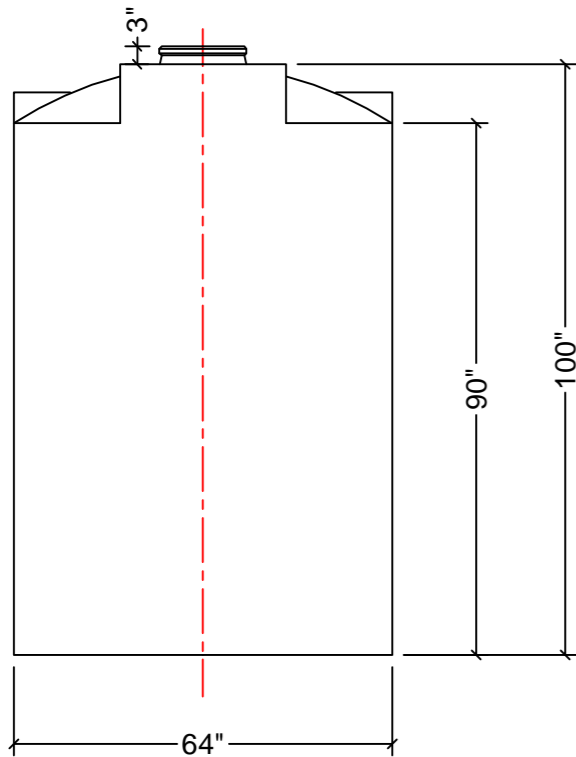
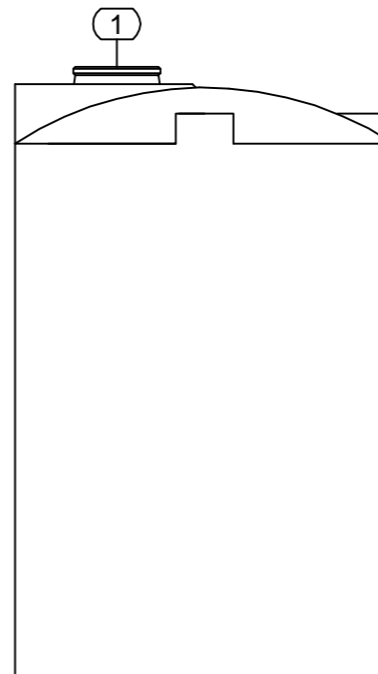


PLAN VIEW



FRONT VIEW



SIDE VIEW

NOZZLE SCHEDULE

| ITEM | SIZE | DESCRIPTION | NOTES |
|------|------|-------------|-------|
|      |      |             |       |
|      |      |             |       |
|      |      |             |       |
|      |      |             |       |
|      |      |             |       |
|      |      |             |       |
|      |      |             |       |
|      |      |             |       |
|      |      |             |       |
|      |      |             |       |

NOTES:

- 1. 14" LID WITH STAINLESS STEEL LOCK RING.

| REV | DATE | DESCRIPTION | BY | APPD | REVD |
|-----|------|-------------|----|------|------|
|     |      |             |    |      |      |

REVISIONS

CUSTOMER

|       |                          |
|-------|--------------------------|
| TITLE | ACO JOB NO: -            |
|       | PURCHASE ORDER NO: -     |
|       | PURCHASER'S EQUIP. NO: - |

THIS DRAWING IS THE PROPERTY OF ACO CONTAINER SYSTEMS LTD. AND SHALL NOT BE COPIED OR TRANSFERRED WITHOUT THE WRITTEN CONSENT OF ACO CONTAINER SYSTEMS LTD.

|                |   |   |
|----------------|---|---|
| ENGINEERS SEAL | <b>ACO CONTAINER SYSTEMS LTD.</b>   |   |
|                | <small>PICKERING - ONTARIO - CANADA</small>   |   |
|                | ACO CONTAINER SYSTEMS LTD.<br>794 MCKAY RD.<br>PICKERING, ONTARIO, CANADA<br>L1W 2Y4<br>TEL. 905-683-8222<br>FAX 905-683-2969 | DESIGNED S.A.<br>DRAWN J.M.<br>CHECKED<br>APPROVED<br>SCALE N.T.S.<br>DATE 01-31-07 |
| DWG No         | CT-1000   | REV 1   |