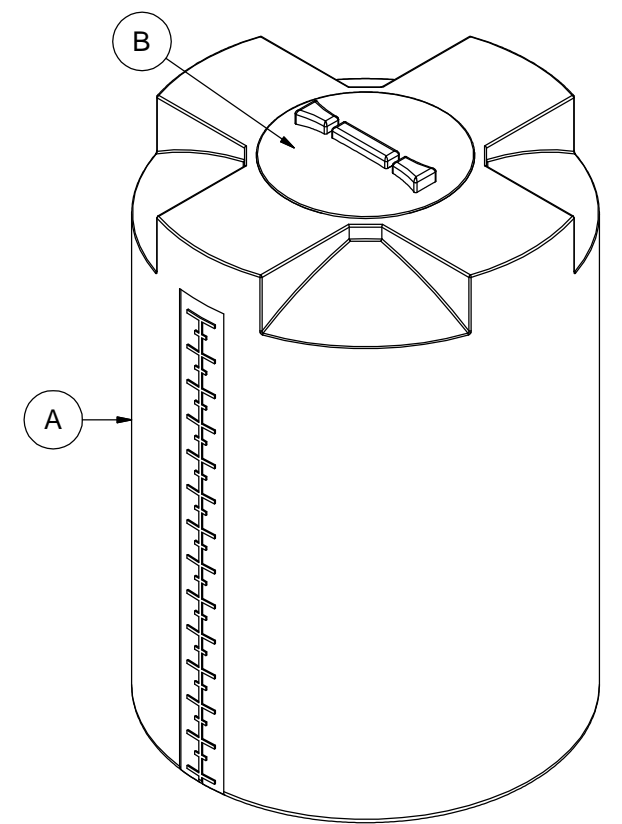
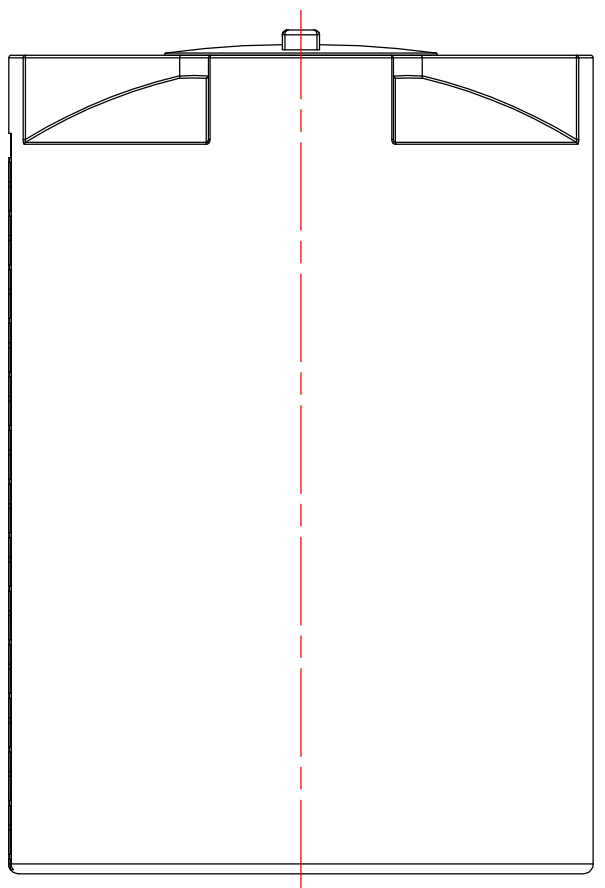
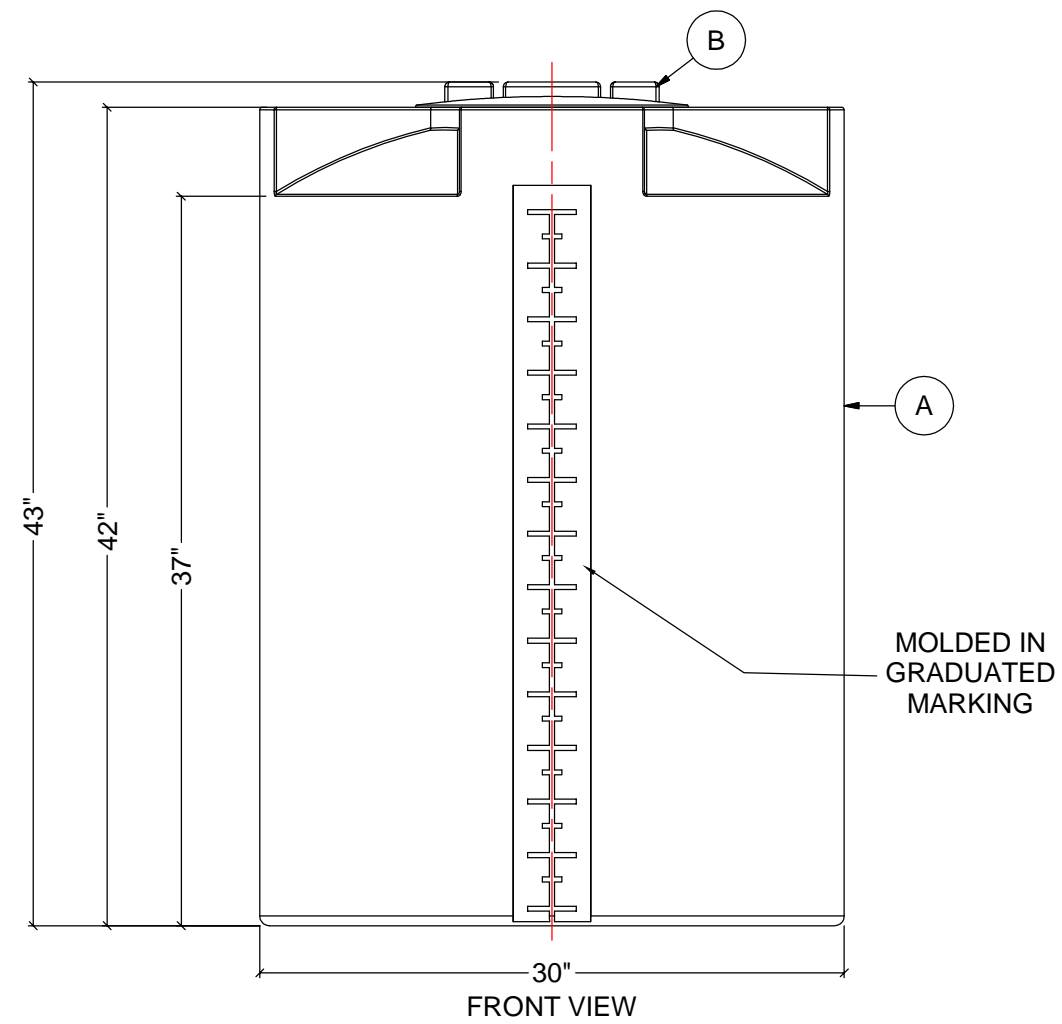
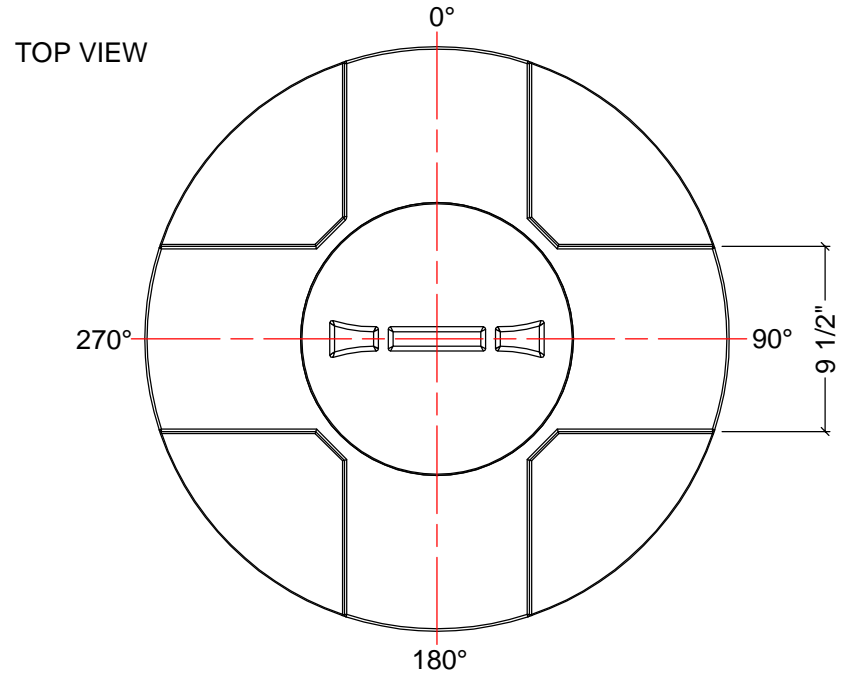


MATERIALS LIST		
ITEMS	DESCRIPTION	NOTES
A	CT-100-CH TANK	
B	12" THREADED MCPHEE LID	

NOTES:
 1. TANK IS MANUFACTURED TO ASTM-D-1998 STANDARD.
 2. ALL DIMENSIONS ARE APPROXIMATE.



REV	DATE	DESCRIPTION	BY	APPD	REVD
REVISIONS					

CUSTOMER
 TITLE: 100 I.G. CLOSED TOP TANK
 ACO JOB NO:
 PURCHASE ORDER NO:
 PURCHASER'S EQUIP. NO:

THIS DRAWING IS THE PROPERTY OF ACO CONTAINER SYSTEMS LTD. AND SHALL NOT BE COPIED OR TRANSFERRED WITHOUT THE WRITTEN CONSENT OF ACO CONTAINER SYSTEMS LTD.

ENGINEERS SEAL	ACO CONTAINER SYSTEMS LTD.	
	<small>PICKERING - ONTARIO - CANADA</small>	
ACO CONTAINER SYSTEMS LTD. 794 MCKAY RD. PICKERING, ONTARIO, CANADA L1W 2Y4 TEL. 905-683-8222 FAX 905-683-2969	DESIGNED	
	DRAWN	WM
	CHECKED	
	APPROVED	
	SCALE	N.T.S.
DWG No	CT-100-CH	REV 0