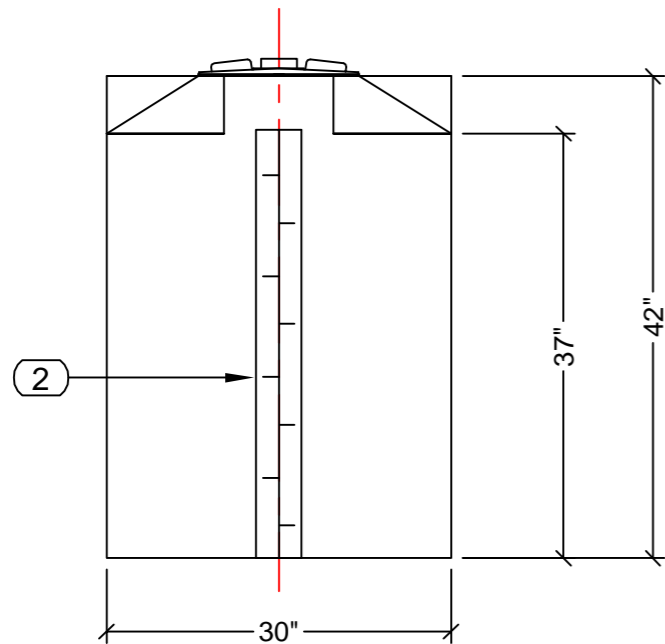
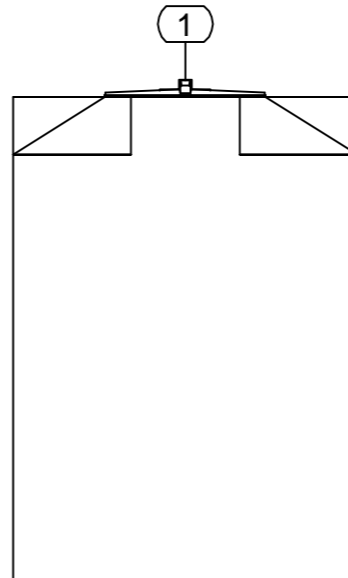


PLAN VIEW



FRONT VIEW



SIDE VIEW

NOZZLE SCHEDULE

ITEM	SIZE	DESCRIPTION	NOTES

NOTES:

- 1. 12" THREADED LID. (AVAILABLE WITH OR WITHOUT VENT)
- 2. MOULDED IN VOLUME MARKER.

REV	DATE	DESCRIPTION	BY	APPD	REVD

REVISIONS

CUSTOMER

TITLE	ACO JOB NO:	-
	PURCHASE ORDER NO:	-
	PURCHASER'S EQUIP. NO:	-

THIS DRAWING IS THE PROPERTY OF ACO CONTAINER SYSTEMS LTD. AND SHALL NOT BE COPIED OR TRANSFERRED WITHOUT THE WRITTEN CONSENT OF ACO CONTAINER SYSTEMS LTD.

ENGINEERS SEAL	ACO CONTAINER SYSTEMS LTD.	
	<small>PICKERING - ONTARIO - CANADA</small>	
	ACO CONTAINER SYSTEMS LTD. 794 MCKAY RD. PICKERING, ONTARIO, CANADA L1W 2Y4 TEL. 905-683-8222 FAX 905-683-2969	DESIGNED S.A. DRAWN J.M. CHECKED APPROVED SCALE N.T.S. DATE 01-31-07

DWG No **CT-100-CH** REV **1**