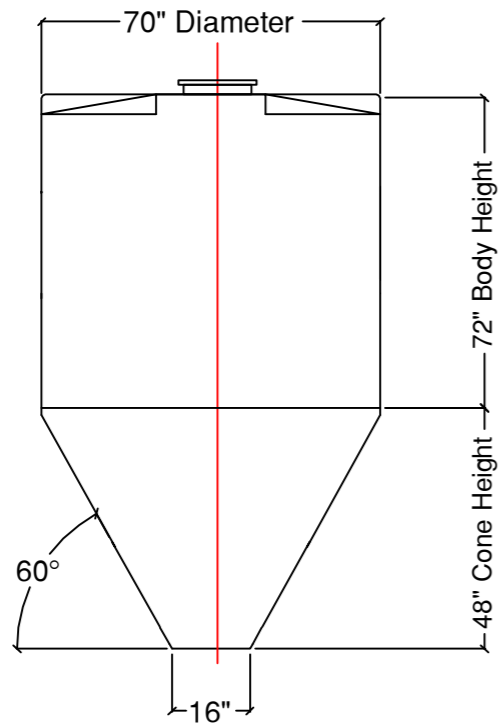
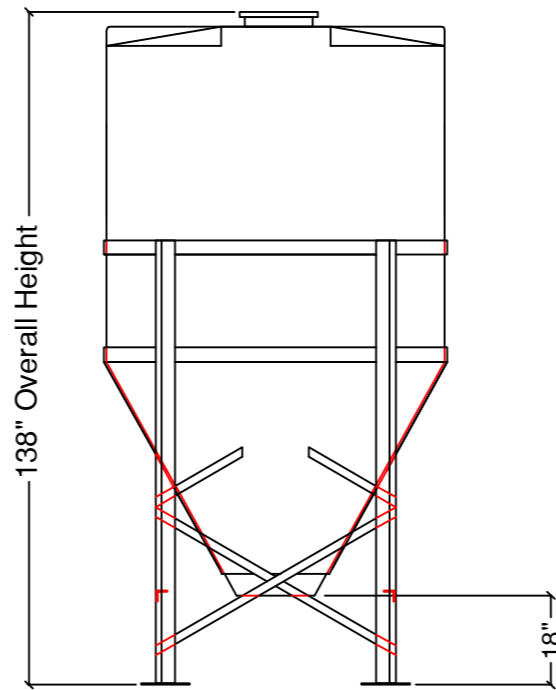


PLAN VIEW



FRONT VIEW



SIDE VIEW

NOZZLE SCHEDULE			
ITEM	SIZE	DESCRIPTION	RATING

REV	DATE	DESCRIPTION	BY	APPD	REVD
REVISIONS					
CUSTOMER					
TITLE		ACO JOB NO:	-		
		PURCHASE ORDER NO:	-		
		PURCHASER'S EQUIP. NO:	-		
THIS DRAWING IS THE PROPERTY OF ACO CONTAINER SYSTEMS LTD. AND SHALL NOT BE COPIED OR TRANSFERRED WITHOUT THE WRITTEN CONSENT OF ACO CONTAINER SYSTEMS LTD.					
ENGINEERS SEAL		ACO CONTAINER SYSTEMS LTD.			
<small>PICKERING - ONTARIO - CANADA</small>					
<small>ACO CONTAINER SYSTEMS LTD. 794 MCKAY RD. PICKERING, ONTARIO, CANADA L1W 2Y4 TEL. 905-683-8222 FAX 905-683-2969</small>		DESIGNED	S.A.		
		DRAWN	D.G.		
		CHECKED			
		APPROVED			
		SCALE	N.T.S.		
DWG No		DATE	06-05-07		REV
CBS-1250					0